

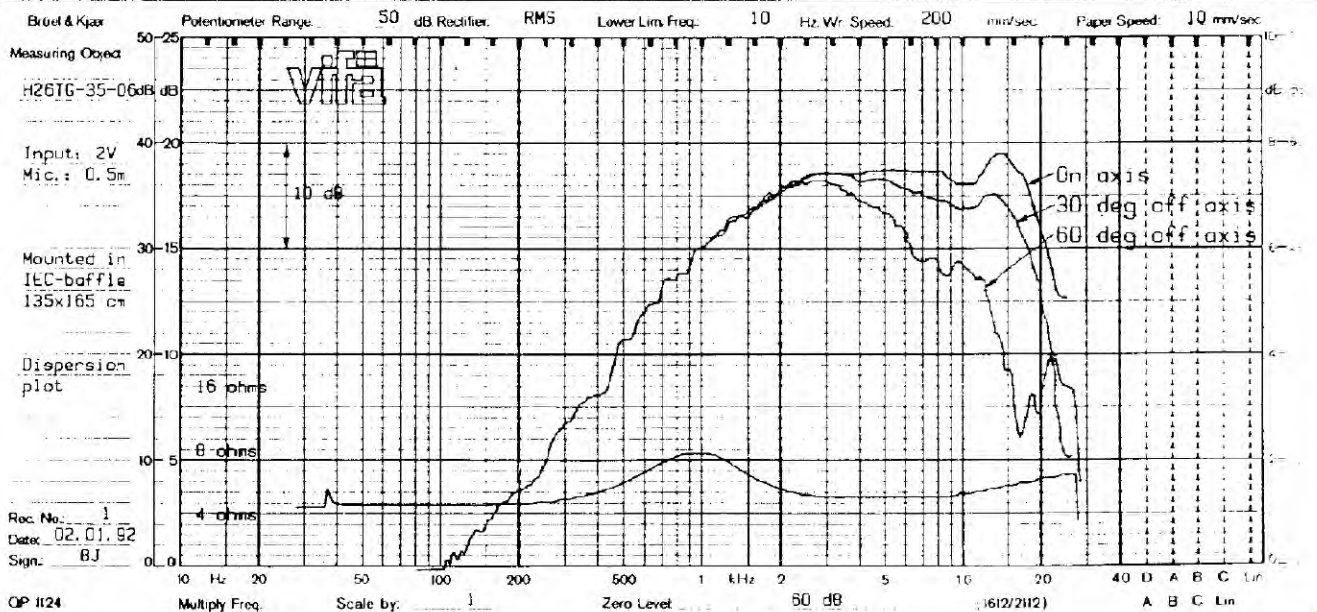
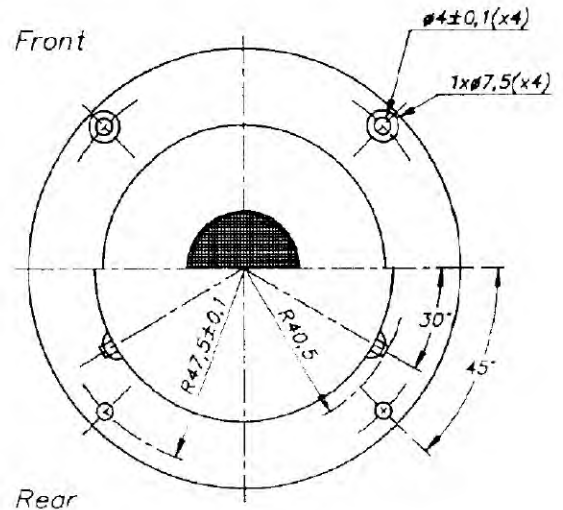
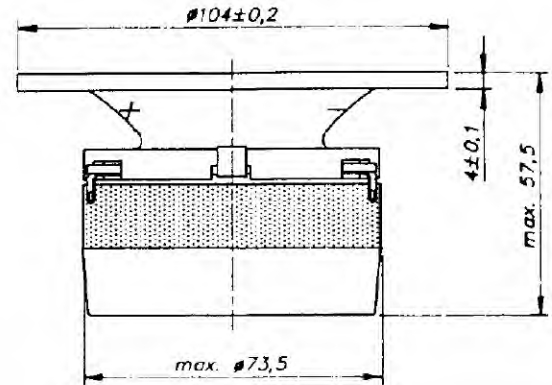
1" IMP. TRANSFORMER

H26TG-35-06

SPECIAL FEATURES:

- FABRIC DIAPHRAGM
- "BUTTERFLY" VC ASSEMBLY
- IMPROVED AIR LOAD ON DIAPHRAGM
- MAGNETIC FLUID
- FLEXIBLE VOICE COIL BRAIDS
- DOUBLE CHAMBER

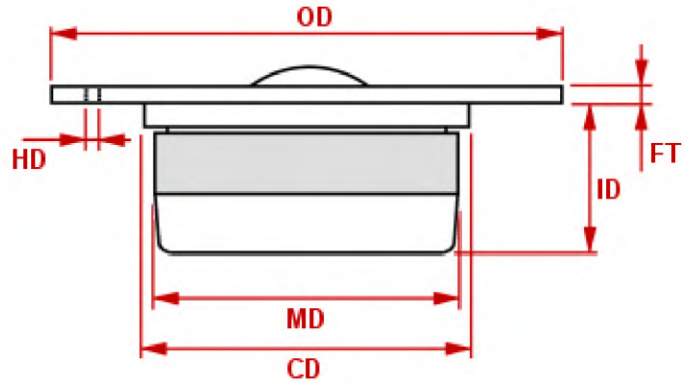
NOMINAL IMPEDANCE	6 Ω
NOMINAL POWER (IEC 268-5)	100 W
FREQUENCY RANGE	2-20 kHz
SENSITIVITY (1W, 1m)	95 dB
EFFECTIVE DIAPHRAGM AREA	7,1 cm ²
VOICE COIL RESISTANCE	4,6 Ω
OPERATING POWER	1,3 W
VOICE COIL DIAMETER	26 mm
VOICE COIL HEIGHT	1,6 mm
AIR GAP HEIGHT	2 mm
FREE AIR RESONANCE	940 Hz
MOVING MASS (incl. air)	0,33 g
FORCE FACTOR, B x l	3,3 Txm
MAGNET WEIGHT	(8,5 oz) 240 g



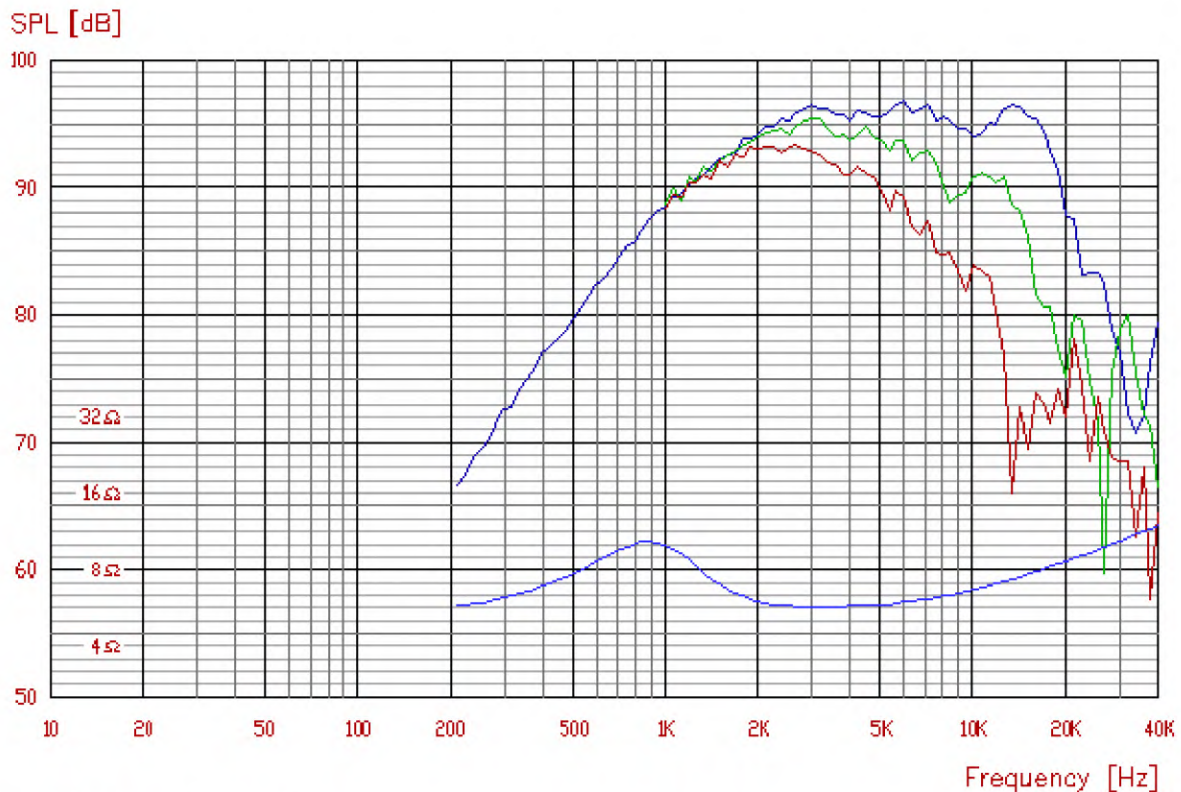


H26TG-35-06

Nominal impedance [ohm]	6
Voice coil resistance [ohm]	4.6
Nominal power [W]	100
Short term max power [W]	-
Long term max power [W]	-
Operating power [W]	1.3
Sensitivity [dB]	96
Frequency range [kHz]	2-20
Free air resonance [Hz]	940
Voice coil diameter [mm]	26 mm
Voice coil height [mm]	1.6 mm
Air gap height [mm]	2
Voice coil inductance [mH]	-
Eff. diaphragm Area [cm ²]	7.1
Moving mass [g]	0.33
Magnet weight [g]/[oz]	240/8.5
Force factor [Bl]	3.3
VAS [l]	-
Qms	-
Qes	-
Qts	-



OD:	104 mm	CD:	81 mm
FT:	4 mm	ID:	53.5 mm
MD:	73.5 mm	HD:	4xø4@ø95



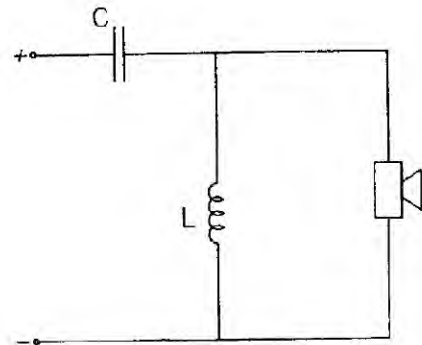
H26TG-35-06

Applications

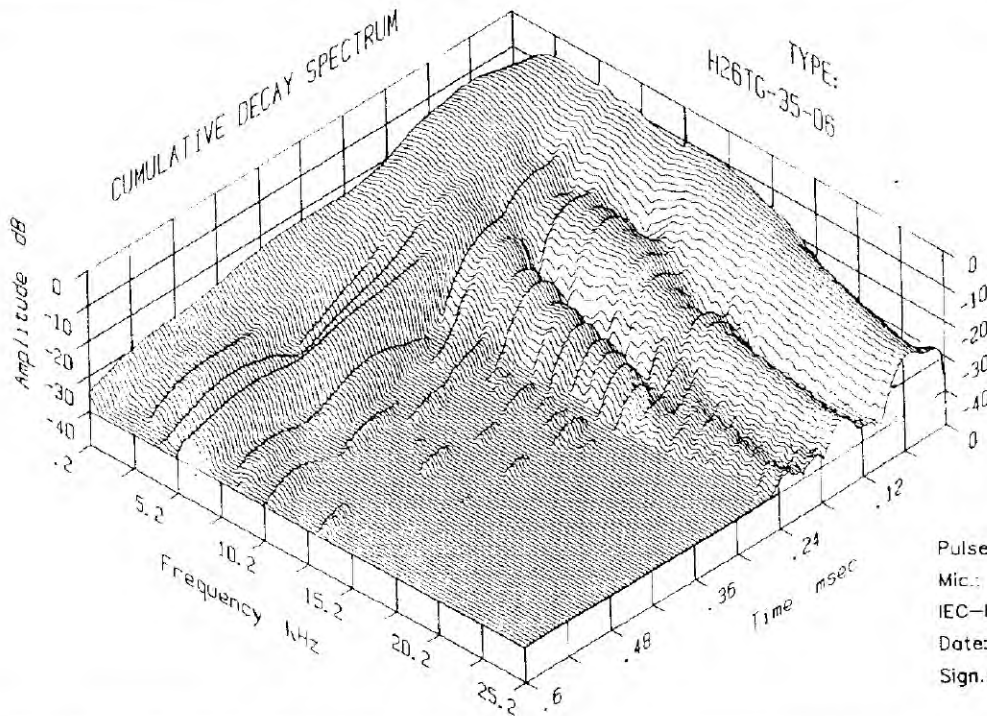
Recommended x-over:

Nom. power [W]	Fc [Hz]	L [mH]	C [μ F]
100	3000	0,22	12
* 50	2000	none	16

* First order x-over



It is recommended to use at least 2'nd order (12 dB/oct) x-over for H26TG-35-06. A 6 dB/oct x-over is described with limited power handling. The impedance load provided by the x-over should be as low as possible at the tweeter res. frequency. This will ensure maximum electrical damping, and consequently minimum excursion. This is essential for high power input.



Pulse: 10V/15 μ S
 Mic.: 0,15 m
 IEC-boffle
 Date: 19.12.91
 Sign.: BJ