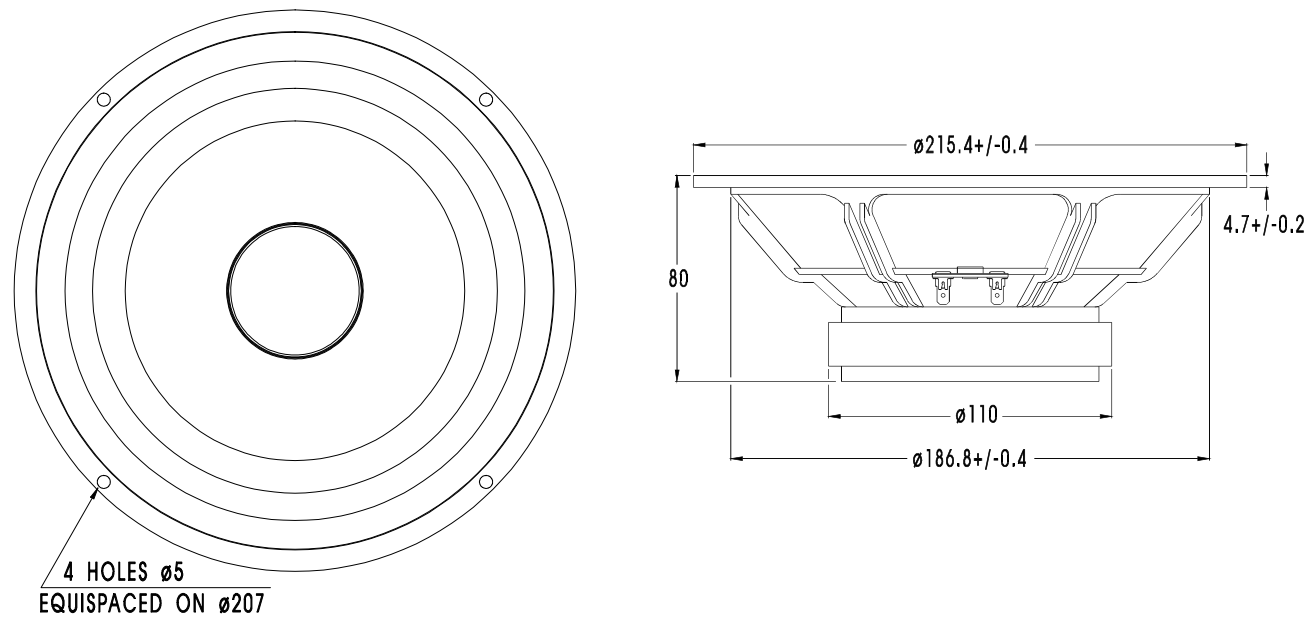


WOOFER

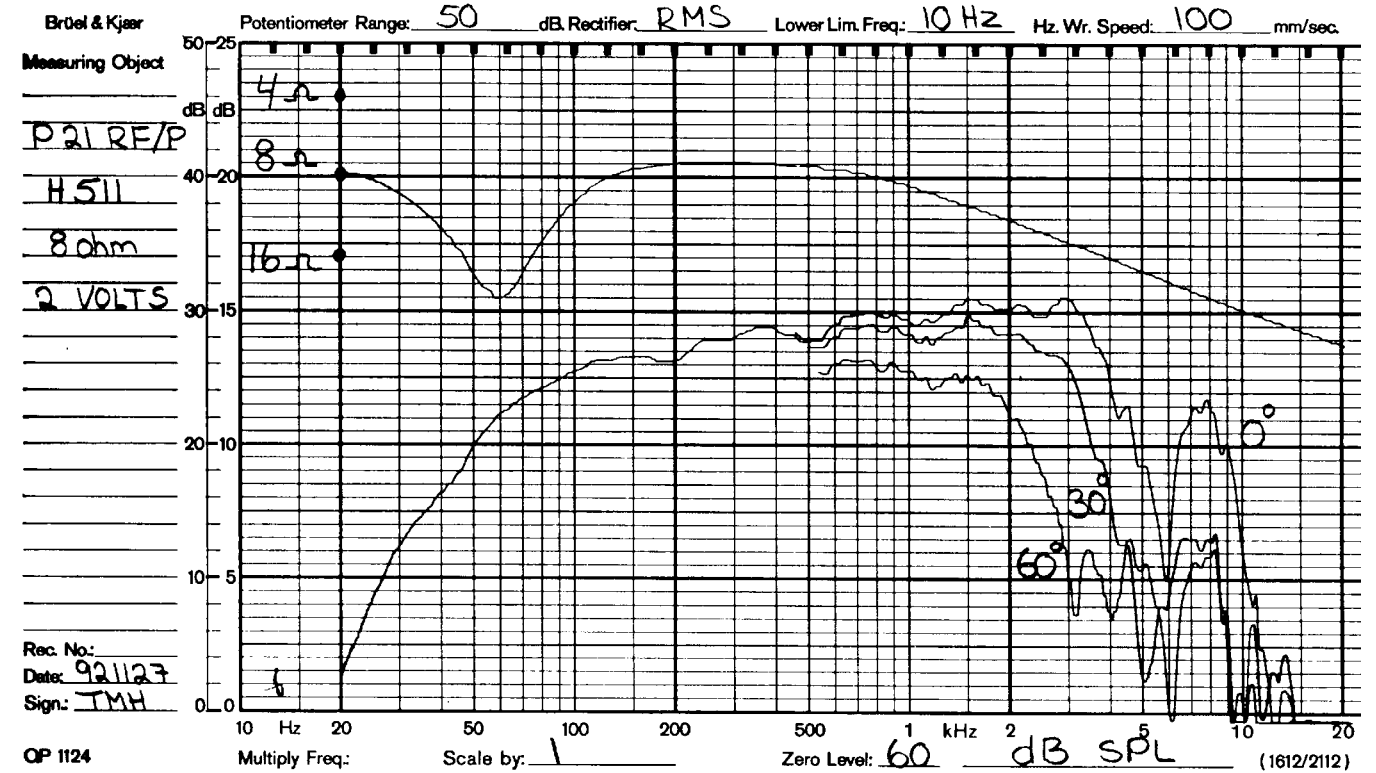
P21RF/P



P21RF/P is an 8" High Fidelity woofer with an injection moulded magnesium chassis. This woofer is a further development of our P21REX, but with a 2" voice coil. It is equipped with a high loss rubber surround and a polypropylene cone which contribute to a smooth frequency response and low colouration. The magnet system is designed to give excellent field symmetry, and consequently low distortion. A bullet shaped phase plug reduces compression due to temperature variations in the voice coil, avoids resonances which would occur in the volume between the dust cap and the pole piece and increases the long term power handling capacity.

NOTES

Response curve recorded in anechoic chamber (Free-field, 4 pi radiation) with 0.5m microphone distance. The loudspeaker is mounted in a closed box of 20 l net volume.



NOMINAL IMPEDANCE	8 Ohms	VOICE COIL RESISTANCE	6.4 Ohms
RECOMMENDED FREQUENCY RANGE	32-2500 Hz	VOICE COIL INDUCTANCE (EQUIVALENT)	0.8 mH
SHORT TERM MAXIMUM POWER *	300 W	FORCE FACTOR	8.8 N/A
LONG TERM MAXIMUM POWER *	125 W	FREE AIR RESONANCE	34 Hz
CHARACTERISTIC SENSITIVITY (1W,1m)	88 dB SPL	MOVING MASS	22 g
OPERATING POWER (96 dB SPL ,1 m)	6.3 W	AIR LOAD MASS IN IEC BAFFLE	1.9 g
		SUSPENSION COMPLIANCE	1.0 mm/N
VOICE COIL DIAMETER	51 mm	SUSPENSION MECHANICAL RESISTANCE	3.0 Ns/m
VOICE COIL HEIGHT	14 mm	EFFECTIVE PISTON AREA	194 sq.cm
AIR GAP HEIGHT	6.0 mm		
LINEAR COIL TRAVEL (p-p)	8.0 mm	VAS	48.3 Litres
MAXIMUM COIL TRAVEL (p-p)	18 mm	QMS	1.70
MAGNETIC GAP FLUX DENSITY	0.85 T	QES	0.42
MAGNET WEIGHT	0.57 Kg	QTS	0.34
TOTAL WEIGHT	2.00 Kg		

* = IEC 268-5