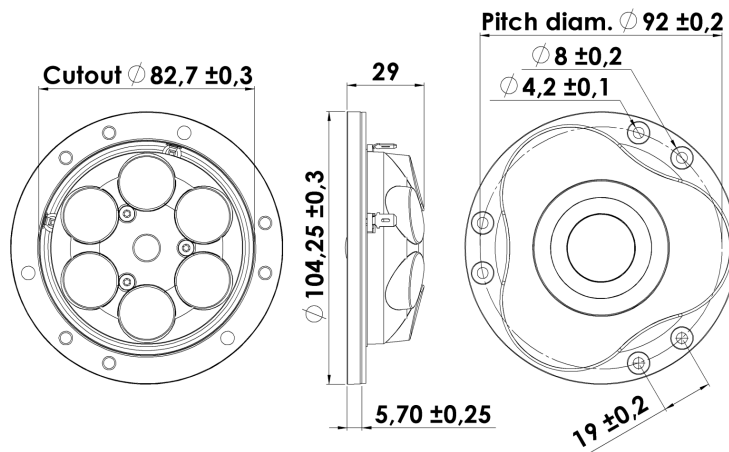




TWEETER

D3004/662001

The Illuminator tweeters stand for superb vocal rendition and excellent imaging at all listening locations. Its large roll surround and textile dome diaphragm provides a flat frequency response to above 30KHz with outstanding off-axis dispersion. The unique AirCirc Magnet System, and its rear chamber, results in elimination of reflections and resonances that compromise the performance of traditional motors.



KEY FEATURES:

- 1" Textile Dome Diaphragm
- Patented Symmetrical Drive (SD) motor
- Diffraction Damping Rubber Front
- Large Roll Surround f. Wide Dispersion
- AirCirc Motor Design w. 6 Neo magnets
- Die Cast Rubber Painted Alu Face Plate

T-S Parameters

Resonance frequency [fs]	500 Hz
Mechanical Q factor [Qms]	3.79
Electrical Q factor [Qes]	0.62
Total Q factor [Qts]	0.54
Force factor [Bl]	2.3 Tm
Mechanical resistance [Rms]	0.29 kg/s
Moving mass [Mms]	0.35 g
Suspension compliance [Cms]	0.29 mm/N
Effective diaph. diameter [D]	30 mm
Effective piston area [Sd]	7 cm ²
Equivalent volume [Vas]	0.02 l
Sensitivity (2.83V/1m)	91.5 dB
Ratio Bl/√Re	1.33 N/√W
Ratio fs/Qts	933 Hz

Notes:

IEC specs. refer to IEC 60268-5 third edition.
All Scan-Speak products are RoHS compliant.
Data are subject to change without notice.
Datasheet updated: January 29, 2011.

Electrical Data

Nominal impedance [Zn]	4 Ω
Minimum impedance [Zmin]	3.9 Ω
Maximum impedance [Zo]	21.2 Ω
DC resistance [Re]	3 Ω
Voice coil inductance [Le]	0.03 mH

Power Handling

100h RMS noise test (IEC 17.1)*	90 W
Long-term max power (IEC 17.3)*	150 W

*Filter: 2. order HP Butterworth, 2.5 kHz

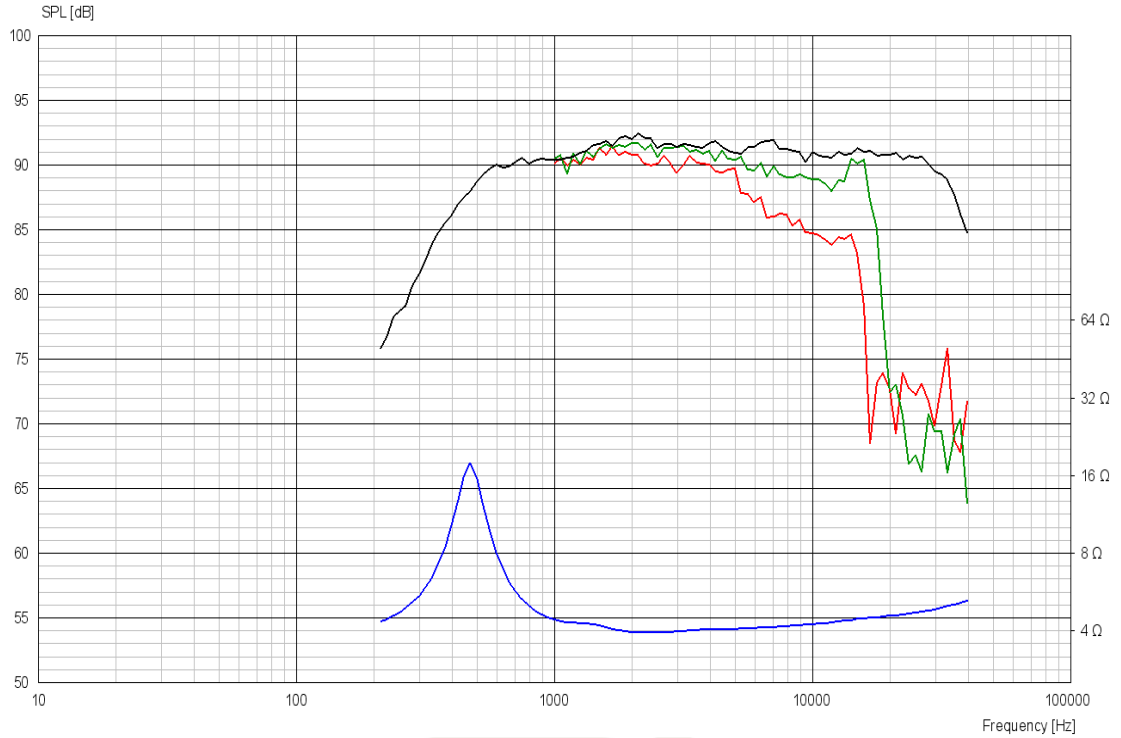
Voice Coil and Magnet Data

Voice coil diameter	26 mm
Voice coil height	2.1 mm
Voice coil layers	2
Height of gap	2.5 mm
Linear excursion	± 0.2 mm
Max mech. excursion	± 1.6 mm
Unit weight	0.3 kg

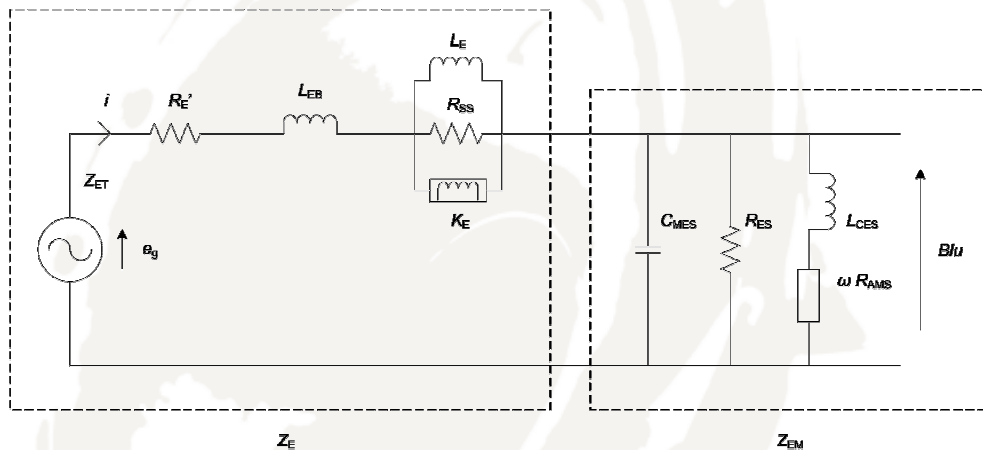


TWEETER

D3004/662001



Advanced Parameters (Preliminary)



Electrical data:

Resistance [Re']	- Ω
Free inductance [Leb]	- mH
Bound inductance [Le]	- mH
Semi-inductance [Ke]	- SH
Shunt resistance [Rss]	- Ω

Mechanical Data

Force Factor [Bl]	- Tm
Moving mass [Mms]	- g
Compliance [Cms]	- mm/N
Mechanical resistance [Rms]	- kg/s
Admittance resistance [Rams]	- mΩ·s