

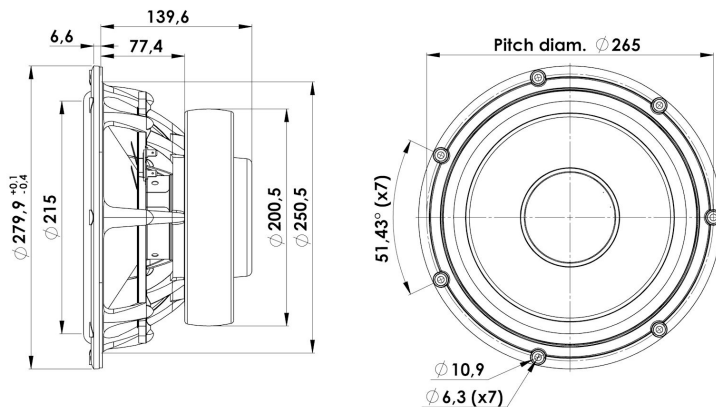


REVELATOR

WOOFER

28W/8878T01

The 28W/8878T01 is a very powerful 28cm woofer, with its large 3" voice coil, long linear excursion and low resonance frequency is it perfect to reproduce the bass frequencies. It features a paper-sandwich cone with very high stiffness and relative low weight. The motor system has heavy duty copper sleeves for optimizing eddy currents and minimizing self-induction.



KEY FEATURES:

- Paper sandwich cone
- 3" Voice coil, Titanium former, paper reinforced
- Long linear excursion
- Spider with balanced tinsel leads
- Patented Symmetrical Drive motor
- Stiff and strong die cast aluminium chassis

T-S Parameters

Resonance frequency [fs]	22 Hz
Mechanical Q factor [Qms]	5.81
Electrical Q factor [Qes]	0.33
Total Q factor [Qts]	0.31
Force factor [Bl]	14.9 Tm
Mechanical resistance [Rms]	2.0 kg/s
Moving mass [Mms]	84 g
Compliance [Cms]	0.62 mm/N
Effective diaph. diameter [D]	215 mm
Effective piston area [Sd]	363 cm ²
Equivalent volume [Vas]	116 l
Sensitivity (2.83V/1m)	88.5 dB
Ratio Bl/√Re	5.93 N/√W
Ratio fs/Qts	71 Hz

Notes:

IEC specs. refer to IEC 60268-5 third edition.
All Scan-Speak products are RoHS compliant.
Data are subject to change without notice.
Datasheet updated: November 2, 2018.

Electrical Data

Nominal impedance [Zn]	8 Ω
Minimum impedance [Zmin]	7.4 Ω
Maximum impedance [Zo]	136 Ω
DC resistance [Re]	6.3 Ω
Voice coil inductance [Le]	0.55 mH

Power Handling

100h RMS noise test (IEC 17.1)*	200 W
Long-term max power (IEC 17.3)*	500 W

*Filter: 2. order LP Butterworth, 200 Hz

Voice Coil & Magnet Data

Voice coil diameter	75 mm
Voice coil height	23 mm
Voice coil layers	2
Height of gap	8 mm
Linear excursion	± 7.5 mm
Max mech. excursion	± 28 mm
Unit weight	7.5 kg

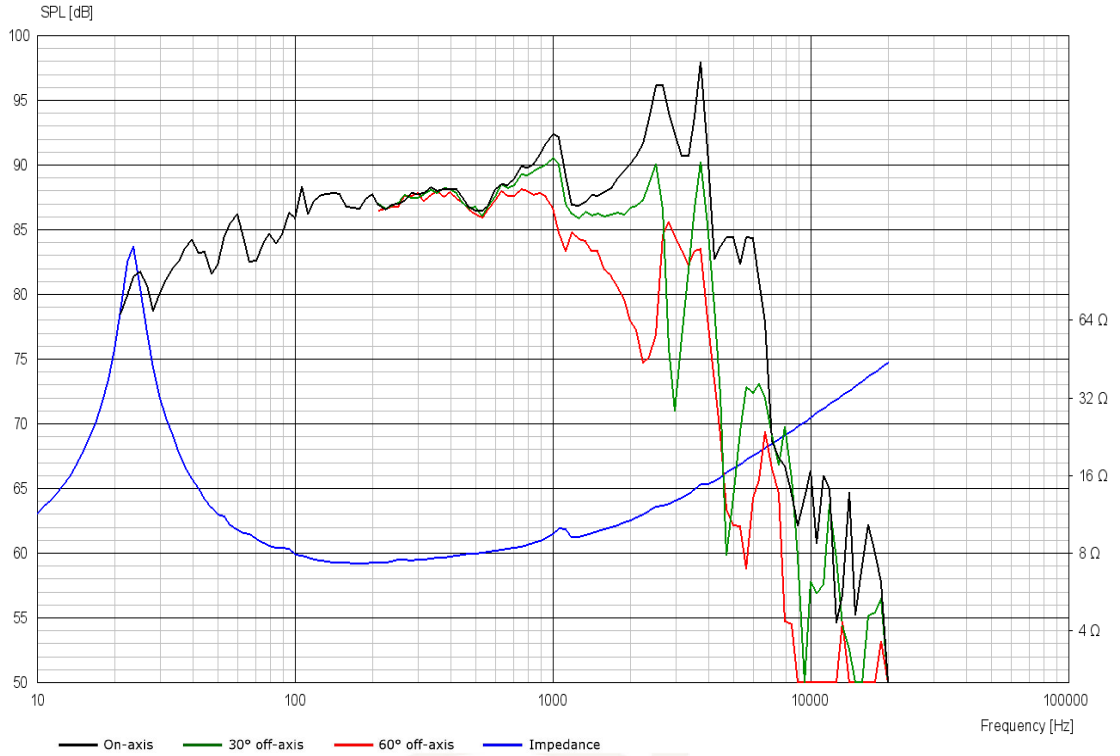




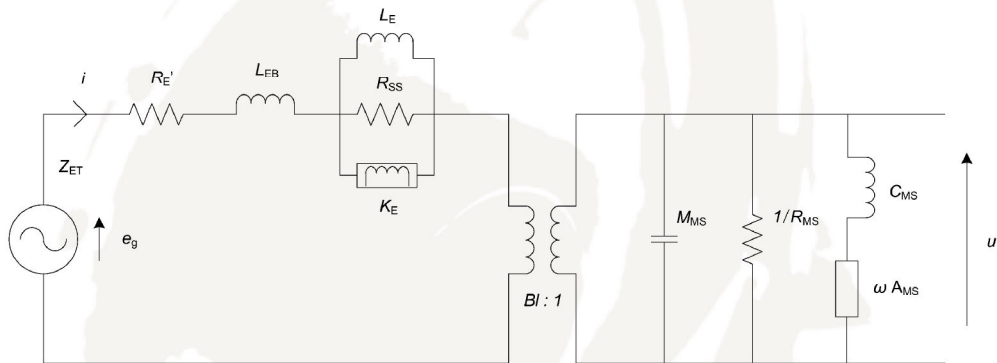
REVELATOR

WOOFER

28W/8878T01



Advanced Parameters (Preliminary)



Electrical data

Resistance [Re']	- Ω
Free inductance [Leb]	- mH
Bound inductance [Le]	- mH
Semi-inductance [Ke]	- SH
Shunt resistance [Rss]	- Ω

Mechanical Data

Force Factor [BI]	- Tm
Moving mass [Mms]	- g
Compliance [Cms]	- mm/N
Mechanical resistance [Rms]	- kg/s
Admittance [Ams]	- mm/N

