

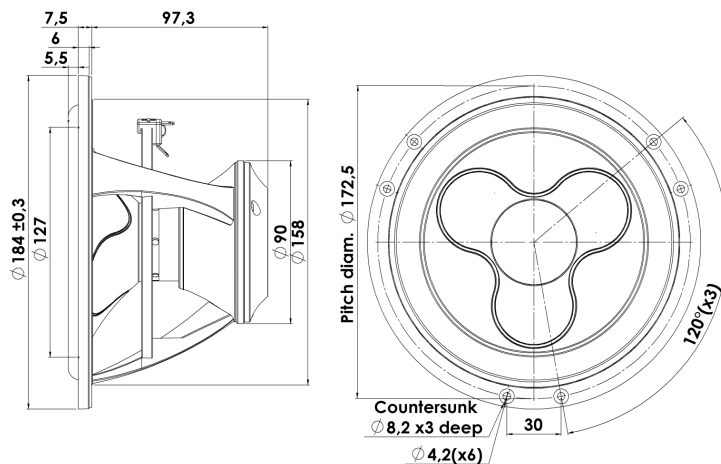


ILLUMINATOR

WOOFER

18WU/8747T00

The Illuminator woofers are in every aspect unusual designs with the open construction, the extremely long linear excursion and patented under-hung SD-3 (Symmetrical Drive) neodymium motor system, which due to copper caps and its construction ensures very low distortion, adding the unique patented cones, low-loss linear suspension the result is: "The Very Best Money Can Buy"!



KEY FEATURES:

- Under-Hung Neodymium Motor Design
- Black Anodized Alu. Cone
- Low-Loss linear suspension
- Patented Symmetrical Drive (SD-3)
- Exceptionally Long Linear Excursion
- Patented Design

T-S Parameters

Resonance frequency [fs]	33 Hz
Mechanical Q factor [Qms]	3.31
Electrical Q factor [Qes]	0.35
Total Q factor [Qts]	0.32
Force factor [Bl]	7.5 Tm
Mechanical resistance [Rms]	1.00 kg/s
Moving mass [Mms]	16 g
Suspension compliance [Cms]	1.45 mm/N
Effective diaph. diameter [D]	140 mm
Effective piston area [Sd]	154 cm ²
Equivalent volume [Vas]	48.3 l
Sensitivity (2.83V/1m)	85.5 dB
Ratio Bl/√Re	3.09 N/√W
Ratio fs/Qts	104 Hz

Notes:

IEC specs. refer to IEC 60268-5 third edition.
All Scan-Speak products are RoHS compliant.
Data are subject to change without notice.
Datasheet updated: January 29, 2011.

Electrical Data

Nominal impedance [Zn]	8 Ω
Minimum impedance [Zmin]	7.7 Ω
Maximum impedance [Zo]	61.7 Ω
DC resistance [Re]	5.9 Ω
Voice coil inductance [Le]	0.41 mH

Power Handling

100h RMS noise test (IEC 17.1)	80 W
Long-term max power (IEC 17.3)	150 W

Voice Coil and Magnet Data

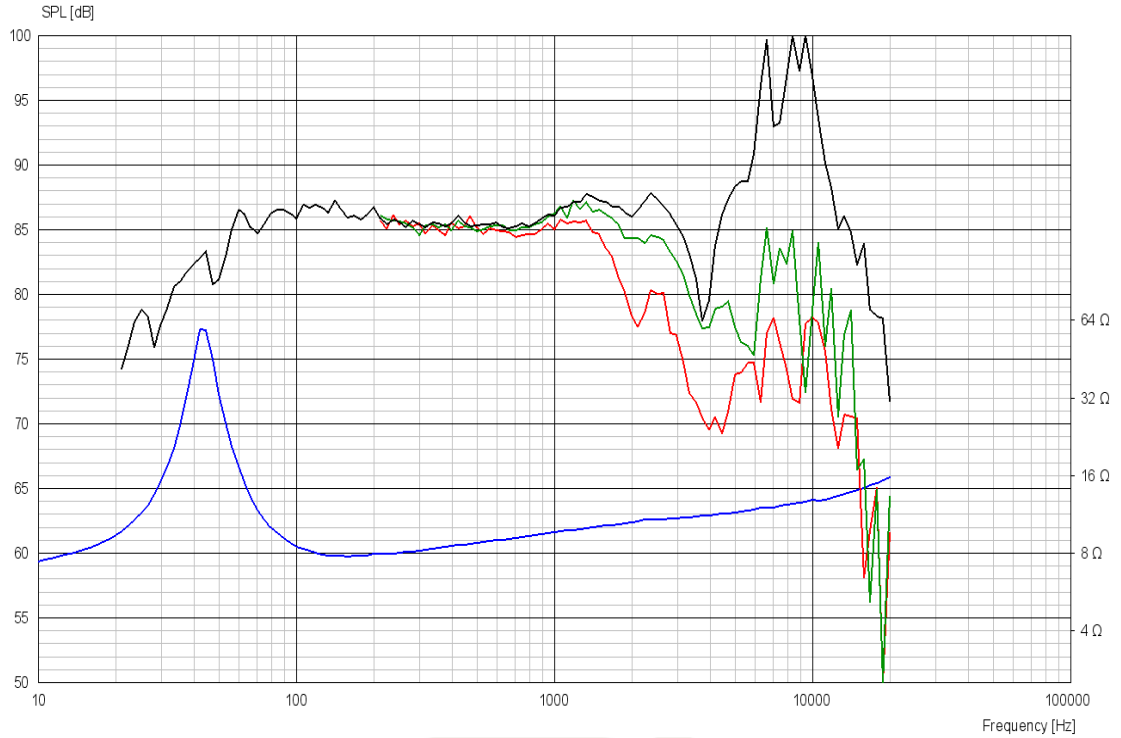
Voice coil diameter	42 mm
Voice coil height	8 mm
Voice coil layers	4
Height of gap	20 mm
Linear excursion	± 9 mm
Max mech. excursion	± 16 mm
Unit weight	1.7 kg

SCANSPEAK

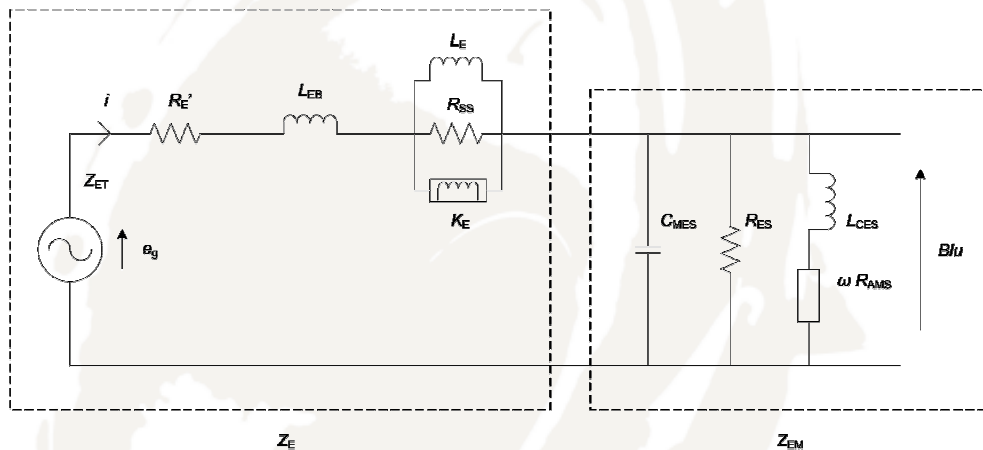


WOOFER

18WU/8747T00



Advanced Parameters (Preliminary)



Electrical data:

Resistance [Re']	5.92 Ω
Free inductance [Leb]	0.0793 mH
Bound inductance [Le]	4.71 mH
Semi-inductance [Ke]	0.0947 SH
Shunt resistance [Rss]	7.13 Ω

Mechanical Data

Force Factor [Bl]	6.68 Tm
Moving mass [Mms]	17.0 g
Compliance [Cms]	0.856 mm/N
Mechanical resistance [Rms]	0.124 kg/s
Admittance resistance [Rams]	5.66 mΩ·s