

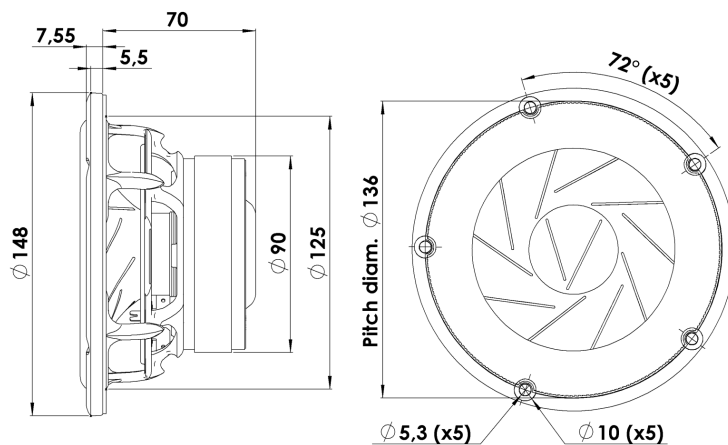


REVELATOR

MIDWOOFER

15W/8530K01

The Revelator midrange and midwoofers, both well known for their sliced paper cone technology. The slices are filled with damping glue, which dramatically reduces break-up modes in the diaphragm. In combination with Scan-Speaks low-loss linear suspension and the patented Symmetrical Drive (SD-1) it represented a breakthrough in midrange clarity and overall smooth frequency response characteristics.



KEY FEATURES:

- Patented Symmetrical Drive Motor Design
- Coated Paper Cone
- Low Damping SBR Rubber Surround
- Sliced Cone (Controls Cone Breakups)
- Low-Loss linear suspension
- Die cast Alu Chassis vented below spider

T-S Parameters

Resonance frequency [fs]	32 Hz
Mechanical Q factor [Qms]	5.23
Electrical Q factor [Qes]	0.44
Total Q factor [Qts]	0.41
Force factor [Bl]	5.9 Tm
Mechanical resistance [Rms]	0.50 kg/s
Moving mass [Mms]	13 g
Suspension compliance [Cms]	1.90 mm/N
Effective diaph. diameter [D]	110 mm
Effective piston area [Sd]	95 cm ²
Equivalent volume [Vas]	24.0 l
Sensitivity (2.83V/1m)	84.5 dB
Ratio Bl/√Re	2.45 N/√W
Ratio fs/Qts	79 Hz

Notes:

IEC specs. refer to IEC 60268-5 third edition.
All Scan-Speak products are RoHS compliant.
Data are subject to change without notice.
Datasheet updated: January 29, 2011.

Electrical Data

Nominal impedance [Zn]	8 Ω
Minimum impedance [Zmin]	6.9 Ω
Maximum impedance [Zo]	74.7 Ω
DC resistance [Re]	5.8 Ω
Voice coil inductance [Le]	0.35 mH

Power Handling

100h RMS noise test (IEC 17.1)	60 W
Long-term max power (IEC 17.3)	- W

Voice Coil and Magnet Data

Voice coil diameter	38 mm
Voice coil height	18 mm
Voice coil layers	2
Height of gap	5 mm
Linear excursion	± 6.5 mm
Max mech. excursion	± 9 mm
Unit weight	1.2 kg

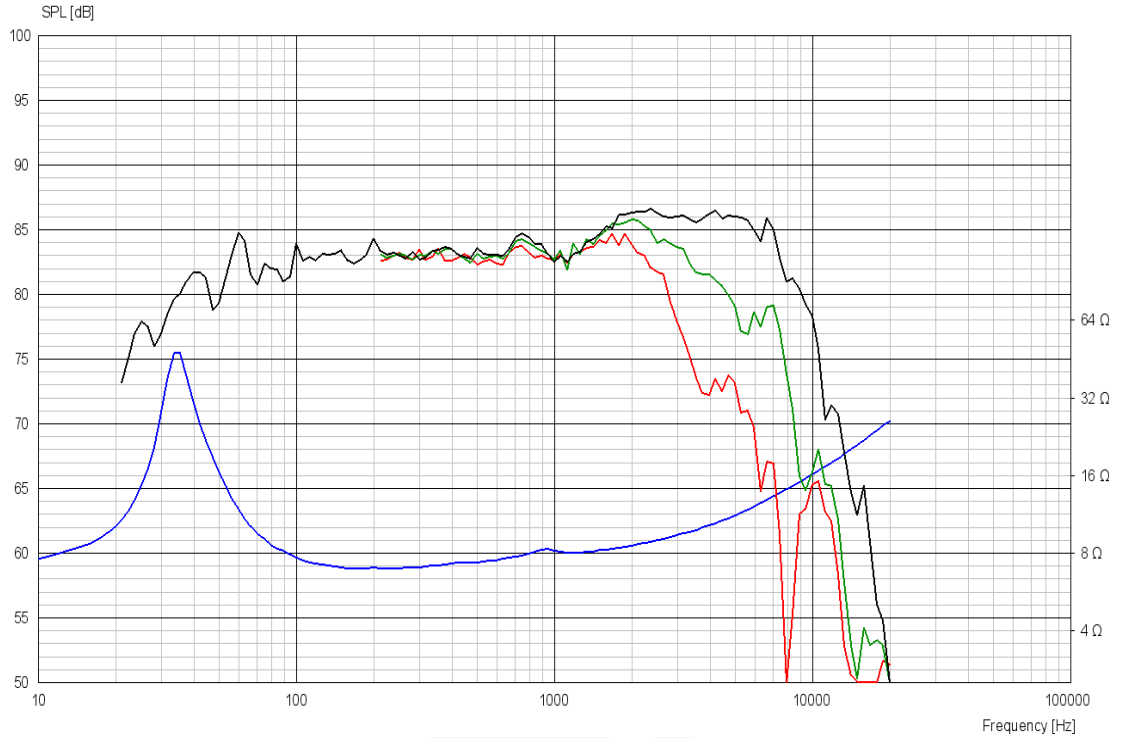




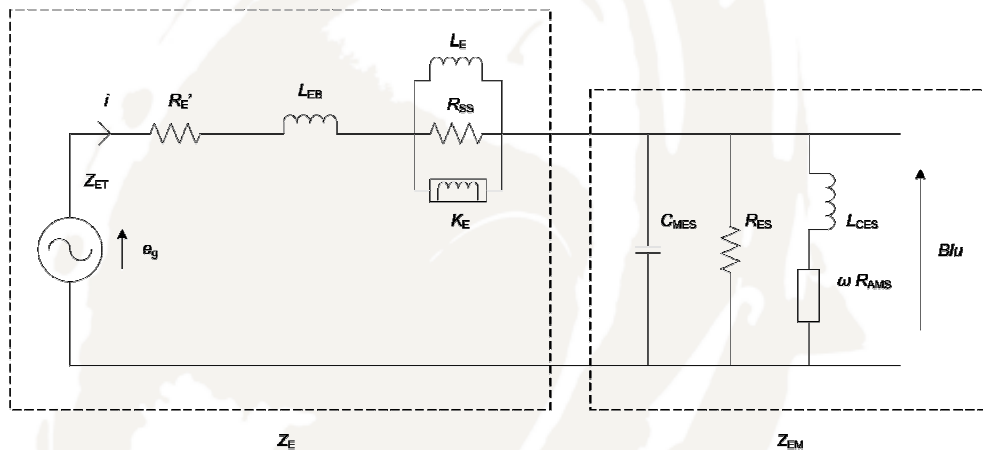
REVELATOR

MIDWOOFER

15W/8530K01



Advanced Parameters (Preliminary)



Electrical data:

Resistance [Re']	5.93 Ω
Free inductance [L _{eb}]	0.131 mH
Bound inductance [L _e]	0.927 mH
Semi-inductance [K _e]	0.0232 SH
Shunt resistance [R _{ss}]	1813 Ω

Mechanical Data

Force Factor [Bl]	4.97 Tm
Moving mass [M _{ms}]	13.2 g
Compliance [C _{ms}]	1.68 mm/N
Mechanical resistance [R _{ms}]	0.138 kg/s
Admittance resistance [R _{ams}]	5.53 mΩ·s

