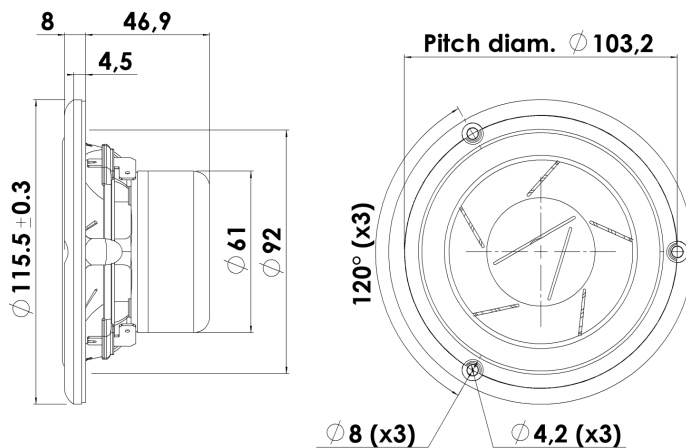


REVELATOR

MIDRANGE

12M/4631G00

The Revelator midranges are well known for their sliced paper cone technology. The slices are filled with damping glue, which dramatically reduces break-up modes in the diaphragm. In combination with Scan-Speaks low-loss linear suspension it represented a breakthrough in midrange clarity and overall smooth frequency response characteristics.



KEY FEATURES:

- Excellent Midrange reproduction
- Low-Loss Linear Suspension
- Compact Neodymium Magnet System
- Sliced Cone (Controls Cone Breakups)
- High Output 89dB @ 2,83V

T-S Parameters

Resonance frequency [fs]	75 Hz
Mechanical Q factor [Qms]	5.57
Electrical Q factor [Qes]	0.35
Total Q factor [Qts]	0.33
Force factor [Bl]	5.3 Tm
Mechanical resistance [Rms]	0.55 kg/s
Moving mass [Mms]	6.5 g
Suspension compliance [Cms]	0.69 mm/N
Effective diaph. diameter [D]	79 mm
Effective piston area [Sd]	49 cm ²
Equivalent volume [Vas]	2.3 l
Sensitivity (2.83V/1m)	89 dB
Ratio Bl/√Re	2.96 N/√W
Ratio fs/Qts	228 Hz

Notes:

IEC specs. refer to IEC 60268-5 third edition.
All Scan-Speak products are RoHS compliant.
Data are subject to change without notice.
Datasheet updated: January 29, 2011.

Electrical Data

Nominal impedance [Zn]	4 Ω
Minimum impedance [Zmin]	3.8 Ω
Maximum impedance [Zo]	54.1 Ω
DC resistance [Re]	3.2 Ω
Voice coil inductance [Le]	0.22 mH

Power Handling

100h RMS noise test (IEC 17.1)	40 W
Long-term max power (IEC 17.3)	- W

Voice Coil and Magnet Data

Voice coil diameter	38 mm
Voice coil height	10 mm
Voice coil layers	2
Height of gap	4 mm
Linear excursion	± 3 mm
Max mech. excursion	± 7 mm
Unit weight	0.6 kg

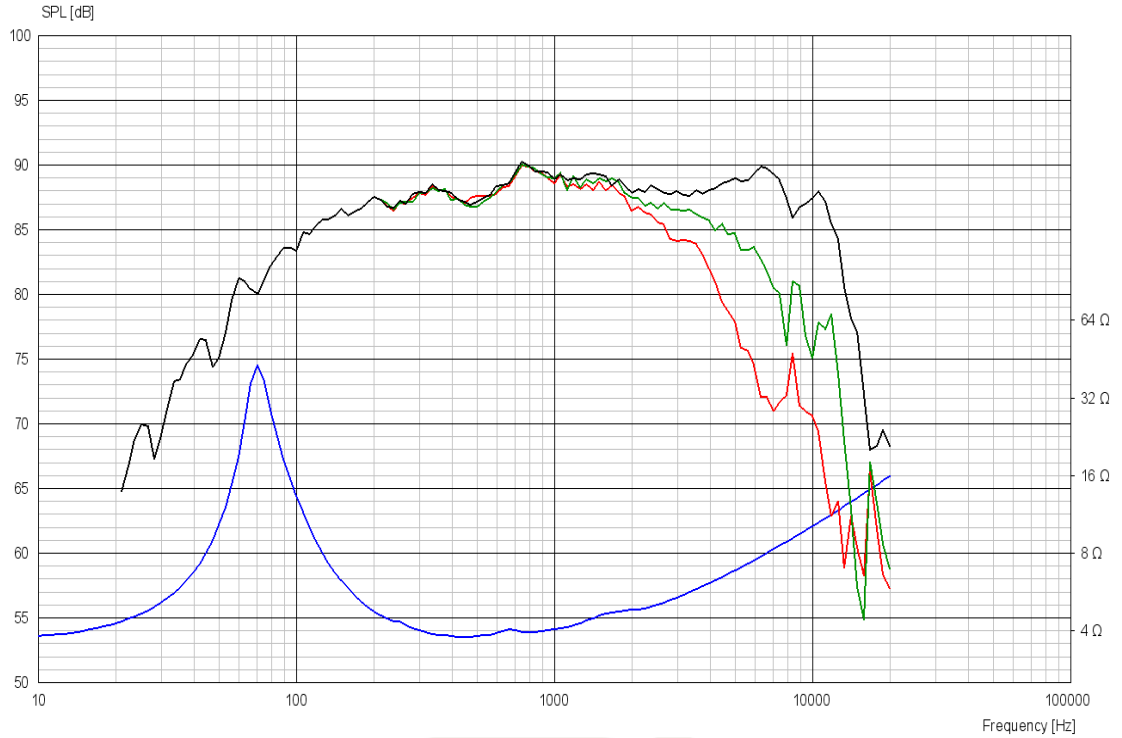




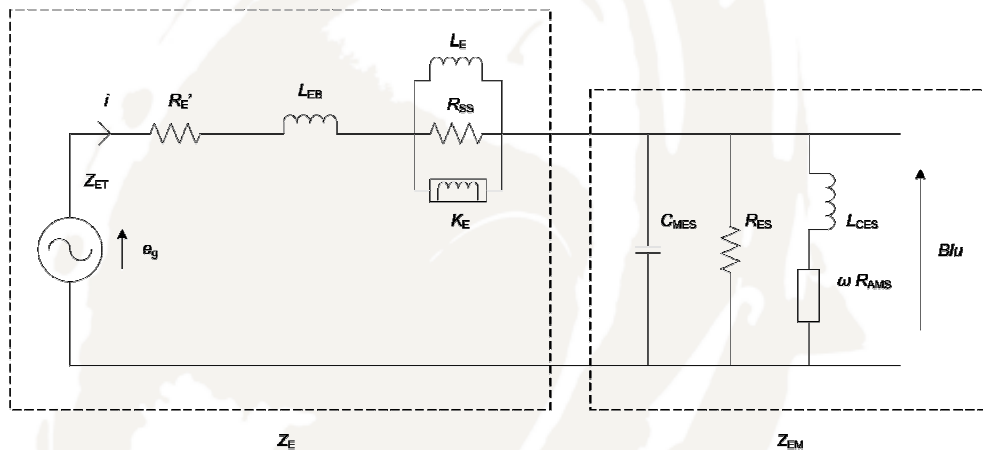
REVELATOR

MIDRANGE

12M/4631G00



Advanced Parameters (Preliminary)



Electrical data:

Resistance [Re']	3.51 Ω
Free inductance [L _{eb}]	0.0397 mH
Bound inductance [L _e]	0.260 mH
Semi-inductance [K _e]	0.0371 SH
Shunt resistance [R _{ss}]	353 Ω

Mechanical Data

Force Factor [Bl]	4.76 Tm
Moving mass [M _{ms}]	6.90 g
Compliance [C _{ms}]	0.781 mm/N
Mechanical resistance [R _{ms}]	0.278 kg/s
Admittance resistance [R _{ams}]	2.12 mΩ·s

