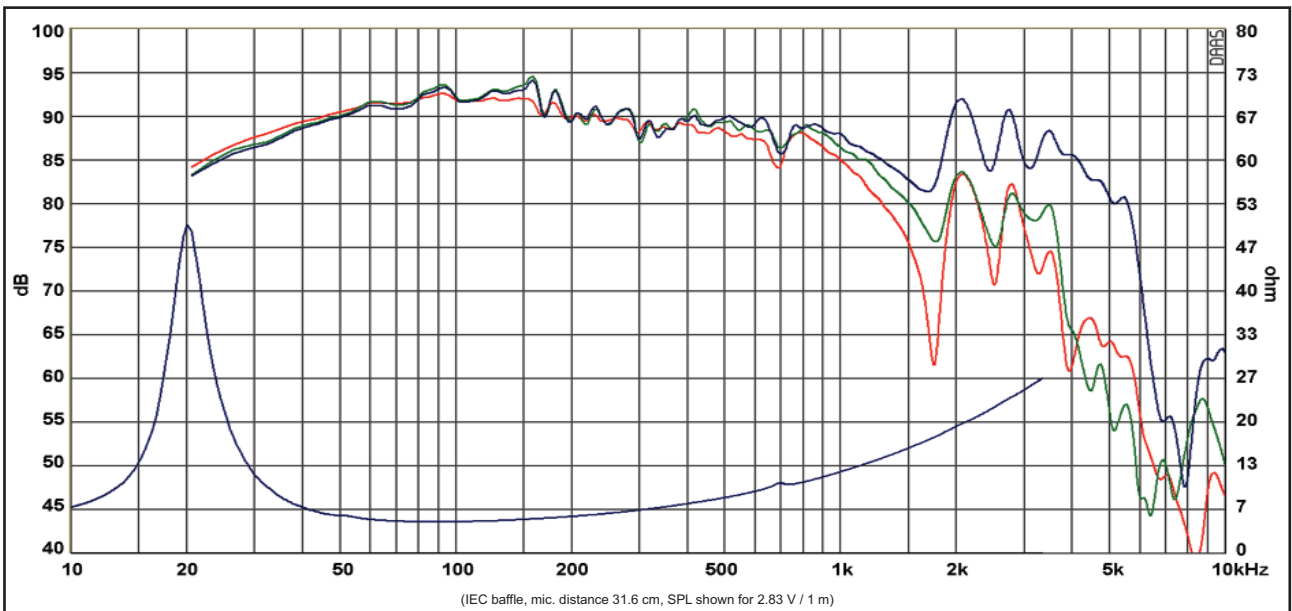
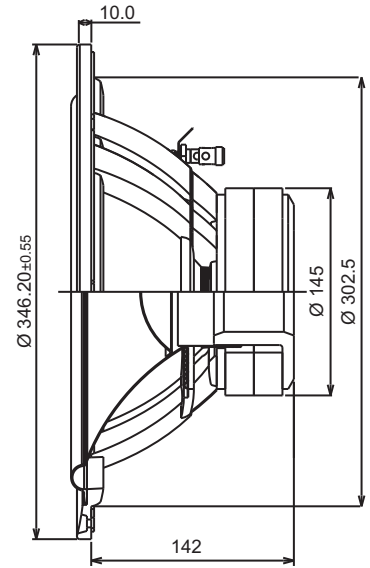
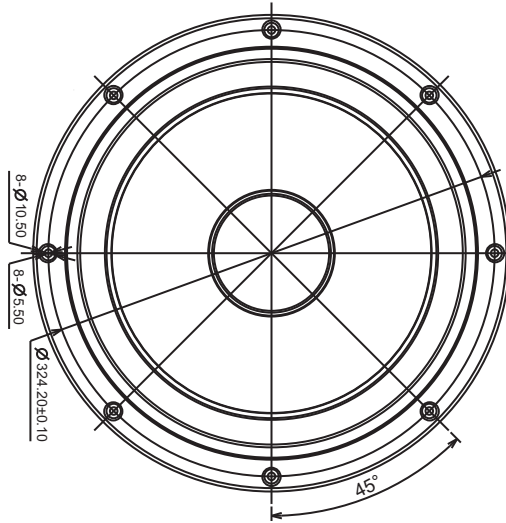


ACOUSTICS

12" SB34NRX75-6



Response Curve :

— (Blue) : on axis — (Green) : 30° off-axis — (Red) : 60° off-axis

Specs :

| | | | |
|---------------------------|---------------------|----------------------------|------------|
| Nominal Impedance | 6 Ω | Free air resonance, Fs | 19 Hz |
| DC resistance, Re | 4.2 Ω | Sensitivity (2.83 V / 1 m) | 90 dB |
| Voice coil inductance, Le | 1.8 mH | Mechanical Q-factor, Qms | 5.1 |
| Effective piston area, Sd | 508 cm ² | Electrical Q-factor, Qes | 0.43 |
| Voice coil diameter | 75.6 mm | Total Q-factor, Qts | 0.40 |
| Voice coil height | 28 mm | Moving mass incl.air, Mms | 99 g |
| Air gap height | 6 mm | Force factor, Bl | 10.7 Tm |
| Linear coil travel (p-p) | 22 mm | Equivalent volume, Vas | 260 liters |
| Magnetic flux density | 0.9 T | Compliance, Cms | 0.71 mm/N |
| Magnet weight | 2.1 kg | Mechanical loss, Rms | 2.3 kg/s |
| Net weight | 5.85 kg | Rated power handling* | 200 W |

* IEC 268-5, T/S parameters measured on drive units that are broken in.