



# ST 728

## Supreme Tweeter, Ø 72mm, 8Ω

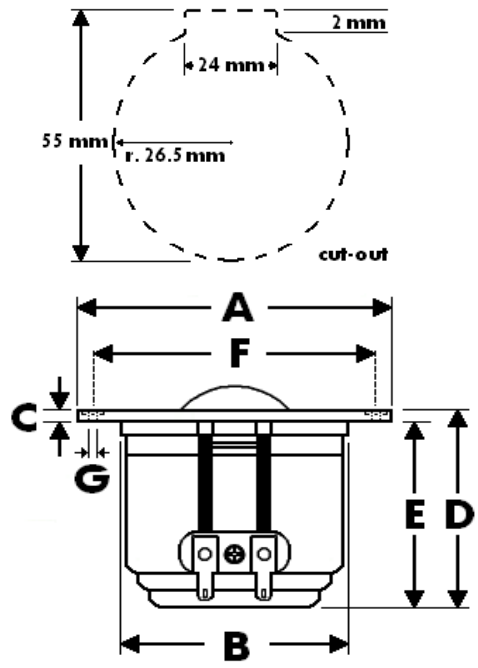


### Features:

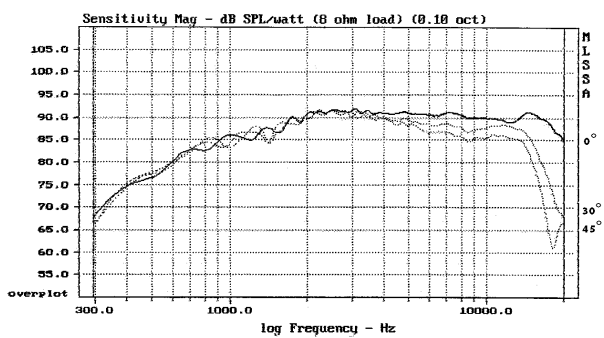
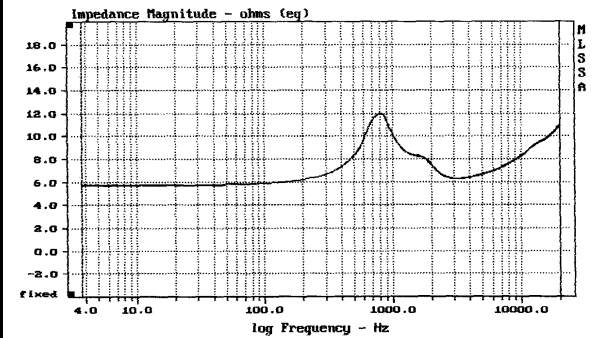
- \* Underhung voice coil
- \* Large Hexatech™ aluminum voice coil
- \* 72mm IDR™ Improved Dispersion Recess aluminum face plate
- \* Replaceable Acuflex™ dome / coil assembly
- \* Neodymium flat pancake design magnet
- \* High power handling

### SPECIFICATIONS

| General Data                     |            |                                |
|----------------------------------|------------|--------------------------------|
| Overall Dimensions               | <b>DxH</b> | 72mm(2.83")x53mm(2.08")        |
| Nominal Power Handling (DIN)     | <b>P</b>   | 120W                           |
| Transient Power 10ms             |            | 1,000W                         |
| Sensitivity 2.83V/1M             |            | 91dB SPL                       |
| Frequency Response               |            | See graph                      |
| Dome Material                    |            | Acuflex™ hand coated soft dome |
| Net Weight                       | <b>Kg</b>  | 0.21                           |
| Electrical Data                  |            |                                |
| Nominal Impedance                | <b>Z</b>   | 8Ω                             |
| DC Resistance                    | <b>Re</b>  | 5.2Ω                           |
| Voice Coil Inductance @ 1KHz     | <b>LBM</b> | 0.05mH                         |
| Voice Coil and Magnet Parameters |            |                                |
| Voice Coil Diameter              | <b>DIA</b> | 28mm                           |
| Voice Coil Height                |            | 2.7mm                          |
| HE Magnetic Gap Height           | <b>HE</b>  | 4.6mm                          |
| Max. Linear Excursion            | <b>X</b>   | 0.95mm                         |
| Voice Coil Former                |            | Aluminum                       |
| Voice Coil Wire                  |            | Hexatech™ Aluminum             |
| Number Of Layers                 |            | 2                              |
| Magnet System Type               |            | Neodymium Flat Pancake         |
| B Flux Density                   | <b>B</b>   |                                |
| BL Product                       | <b>BXL</b> |                                |
| T-S Parameters                   |            |                                |
| Suspension Compliance            | <b>Cms</b> |                                |
| Mechanical Q Factor              | <b>Qms</b> | 0.8                            |
| Electrical Q Factor              | <b>Qes</b> | 0.65                           |
| Total Q Factor                   | <b>Qts</b> | 0.36                           |
| Mechanical Resistance            | <b>Rms</b> |                                |
| Moving Mass                      | <b>Mms</b> | 0.44 g                         |
| Eq. Cas Air Load (liters)        | <b>VAS</b> |                                |
| Resonant Frequency               | <b>Fs</b>  | 800 Hz                         |
| Effective Piston Area            | <b>SD</b>  | 6.0 cm <sup>2</sup>            |



- A - Overall diameter 72mm
- B - Magnet/Chamber diameter 53mm
- C - Flange thickness 3mm
- D - Overall height 53mm
- E - Magnet/Chamber depth 50mm
- F - Mounting holes location diameter 64mm
- G - 6 Mounting holes, at 60° interval, inner hole diameter Ø 3.7mm, pocket h 1mm, Ø 7mm



Measured on IEC baffle using Bruel & Kjaer 3144 model microphone. Also available in black faceplate finish.  
 Morel operate policy of continuous product design improvement, consequently specifications are subject to alteration without prior notice.