

Model Number: XT25BG60-04  
Product Line: Peerless Gold

Revision: Rev 1\_0  
Date: 6-Nov-09

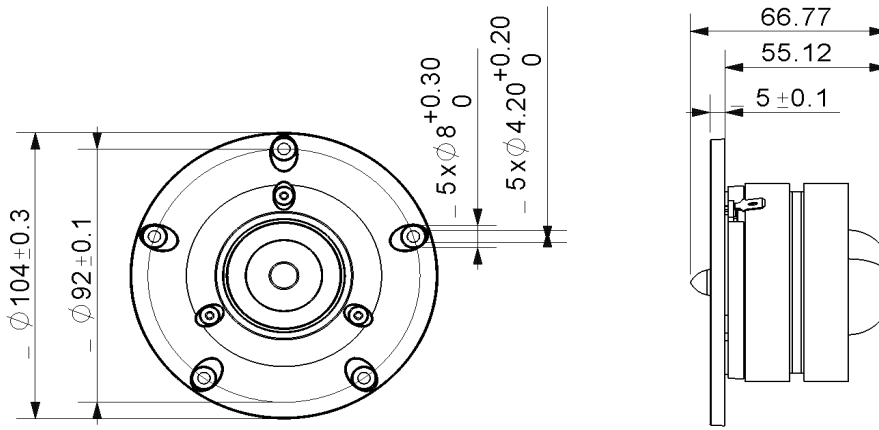


**Product Description:**

This member of the XT tweeter family utilizes two Tymphany technologies to deliver exceptional sound quality: the ring radiator patent, and the central waveguide patent. This model features a 4 ohm 25 mm voice coil, mounted in a ferrite magnet motor. The tweeter also features a rear chamber to create extended low frequency response. The faceplate features recessed mounting holes which minimizes reflections off of mounting screws.



**Mechanical 2D Drawing:**



**Specifications:**

DC Resistance	$R_{evc}$	$\Omega$	3.0	5.0%	Energy Bandwidth Product	EBP	$(1/Q_{es}) \cdot f_s$	1375
Minimum Impedance	$Z_{min}$	$\Omega$	3.4	7.5%	Moving Mass	$M_{ms}$	g	0.36
Voice Coil Inductance	$L_e$	mH	0.01		Suspension Compliance	$C_{ms}$	um/N	203.4
Resonant Frequency	$f_s$	Hz	589	15.0%	Effective Cone Diameter	D	cm	3.2
Mechanical Q Factor	$Q_{ms}$	-	1.3		Effective Piston Area	$S_D$	cm <sup>2</sup>	8.2
Electrical Q Factor	$Q_{es}$	-	0.43		Equivalent Volume	$V_{as}$	L	0.02
Total Q Factor	$Q_{ts}$	-	0.32		Motor Force Factor	BL	T·m	3.07
Ratio $f_s / Q_{ts}$	F	$f_s / Q_{ts}$	1826		Motor Efficiency Factor	$\beta$	$(T \cdot m^2) / \Omega$	3.16
Half Space Sensitivity @ 2.83V	dB@2.83V/1m	dB	93.6	+/-1.0 <sup>1</sup>	Voice Coil Former Material	VC <sub>fm</sub>	-	AL
Sensitivity @ 1W/1m	1W/1m	dB	91.5	+/-1.0 <sup>1</sup>	Voice Coil Inner Diameter	VC <sub>d</sub>	mm	25.8
					Gap Height	Gh	mm	3.0
Rated Noise Power (IEC 2685 18.1)	P	W	100		Maximum Linear Excursion	$X_{max}$	mm	0.40
Test Spectrum Bandwidth	500Hz - 20kHz		12 dB/Oct		Ferrofluid Type	FF	na	
					Transducer Size	-	inch	1
					Transducer Mass	-	kg	0.783

1 - Piston Band Sensitivity Tolerance

**Frequency and Impedance Response:**

