

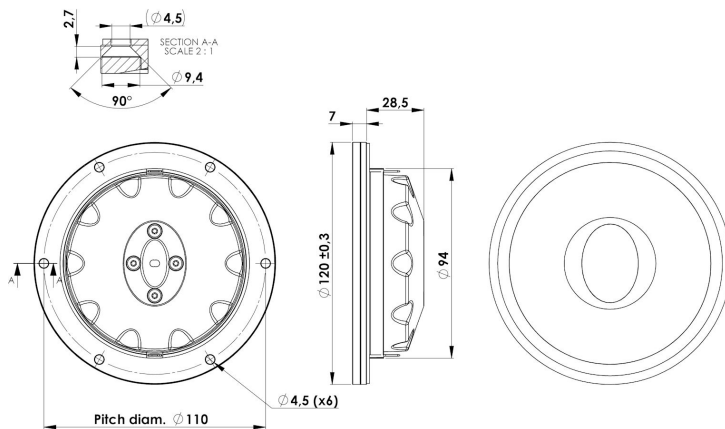


ELLIPTICOR

TWEETER

D3404/552000

With the Ellipticor family a long tradition of circular motor structures and their inherent breakup behavior has been broken since one of its key features is an elliptical voice coil and magnet gap. In combination with the powerful SD AirCirc magnet system the D3404 has high sensitivity, very low distortion, and has an extremely fast response to transients. Above all a TRUE TO LIVE sound which makes D3404/552000 one of the very best tweeters on the market!



KEY FEATURES:

- Elliptic voice coil
- Low mechanical losses
- High sensitivity (SPL)
- Aircirc optimized magnetsystem
- Unusually low distortion
- Flexible optics with replaceable decor ring

T-S Parameters

Resonance frequency [fs]	475 Hz
Mechanical Q factor [Qms]	5.25
Electrical Q factor [Qes]	0.63
Total Q factor [Qts]	0.57
Force factor [Bl]	2.8 Tm
Mechanical resistance [Rms]	0.32 kg/s
Moving mass [Mms]	0.57 g
Compliance [Cms]	0.20 mm/N
Effective diaph. diameter [D]	~38 mm
Effective piston area [Sd]	11.4 cm ²
Equivalent volume [Vas]	0.04 l
Sensitivity (2.83V/1m)	97 dB
Ratio Bl/√Re	1.62 N/√W
Ratio fs/Qts	833 Hz

Notes:

IEC specs. refer to IEC 60268-5 third edition.
All Scan-Speak products are RoHS compliant.
Data are subject to change without notice.
Datasheet updated: September 1. 2017

Electrical Data

Nominal impedance [Zn]	4 Ω
Minimum impedance [Zmin]	4.0 Ω
Maximum impedance [Zo]	30 Ω
DC resistance [Re]	3 Ω
Voice coil inductance [Le]	0.01 mH

Power Handling

100h RMS noise test (IEC 17.1)	- W
Long-term max power (IEC 17.3)	- W

Voice Coil & Magnet Data

Voice coil diameter	28/39 mm
Voice coil height	2.5 mm
Voice coil layers	2
Height of gap	3 mm
Linear excursion	± 0.25 mm
Max mech. excursion	± 2 mm
Unit weight	0.75 kg



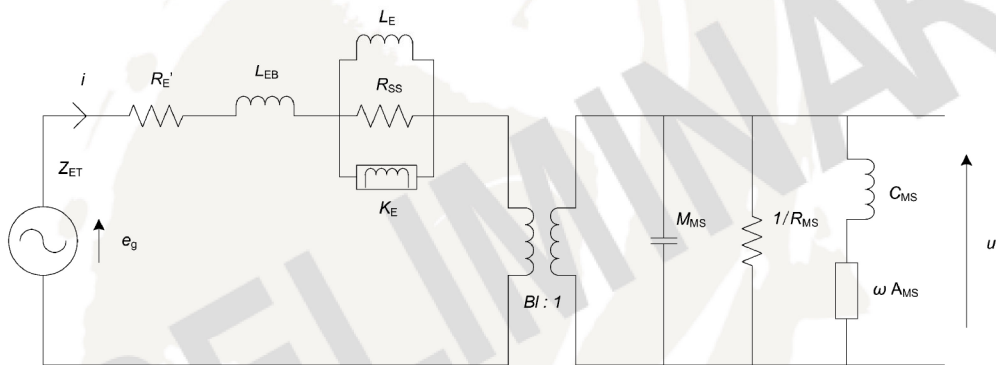
ELLIPTICOR

TWEETER

D3404/552000



Advanced Parameters (Preliminary)



Electrical data

Resistance [Re']	- Ω
Free inductance [L _{eb}]	- mH
Bound inductance [L _e]	- mH
Semi-inductance [K _e]	- SH
Shunt resistance [R _{ss}]	- Ω

Mechanical Data

Force Factor [Bl]	- Tm
Moving mass [M _{ms}]	- g
Compliance [C _{ms}]	- mm/N
Mechanical resistance [R _{ms}]	- kg/s
Admittance [A _{ms}]	- mm/N

