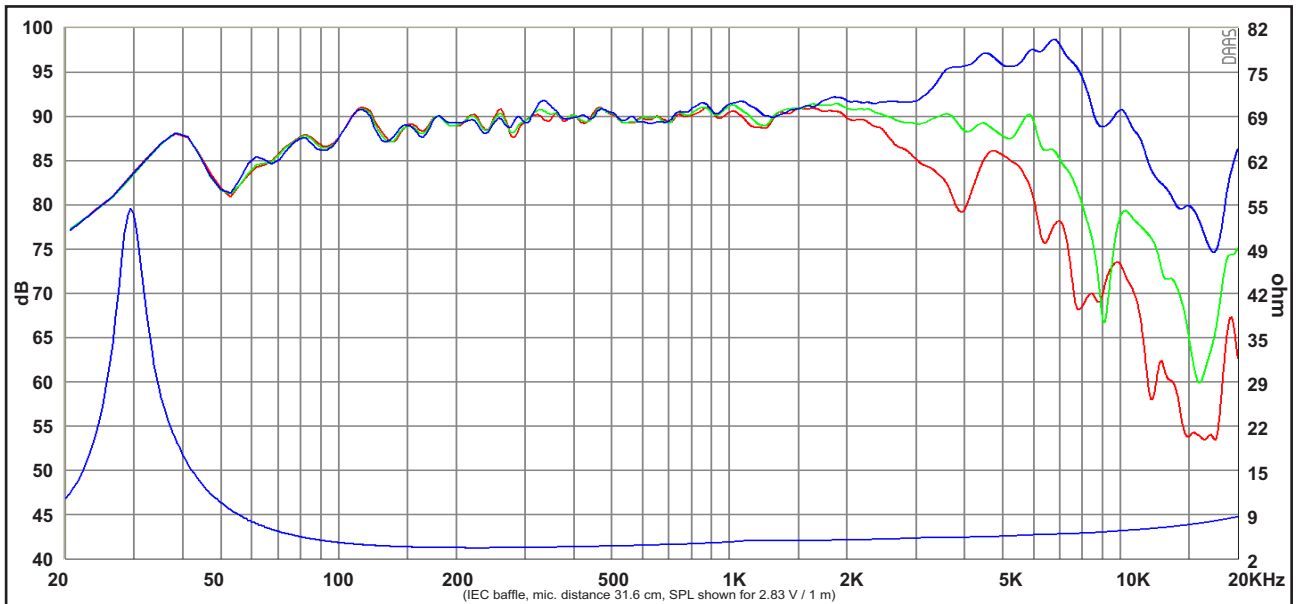
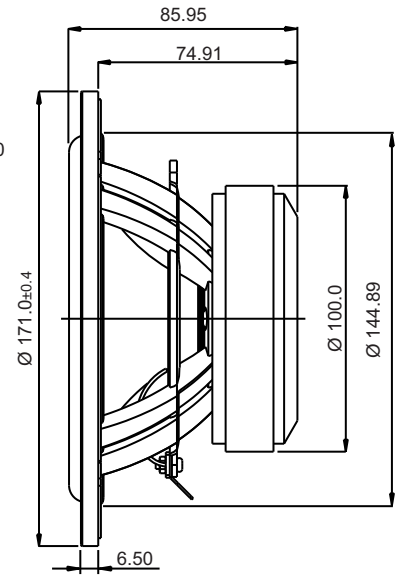
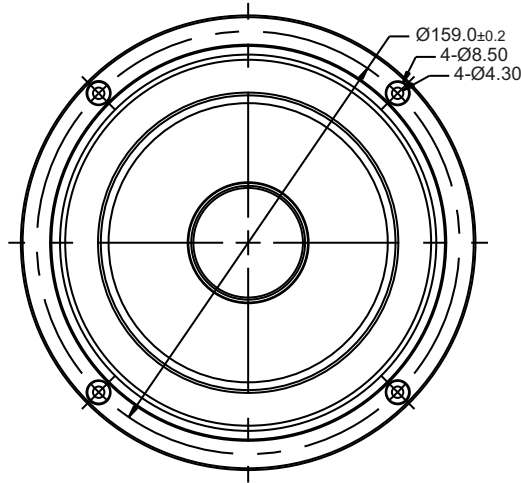


ACOUSTICS

6" SB17MFC35-4

Preliminary data



Specs :

Nominal Impedance	4 Ω	Free air resonance, Fs	30 Hz
DC resistance, Re	3.1 Ω	Sensitivity (2.83 V / 1 m)	90 dB
Voice coil inductance, Le	0.13 mH	Mechanical Q-factor, Qms	5.2
Effective piston area, Sd	118 cm ²	Electrical Q-factor, Qes	0.30
Voice coil diameter	35.5 mm	Total Q-factor, Qts	0.28
Voice coil height	16 mm	Moving mass incl.air, Mms	12.3 g
Air gap height	5 mm	Force factor, Bl	4.9 Tm
Linear coil travel (p-p)	11 mm	Equivalent volume, Vas	45 liters
Magnetic flux density	1.0 T	Compliance, Cms	2.29 mm/N
Magnet weight	0.54 kg	Mechanical loss, Rms	0.45 kg/s
Net weight	1.55 kg	Rated power handling*	60 W

* IEC 268-5, T/S parameters measured on drive units that are broken in.