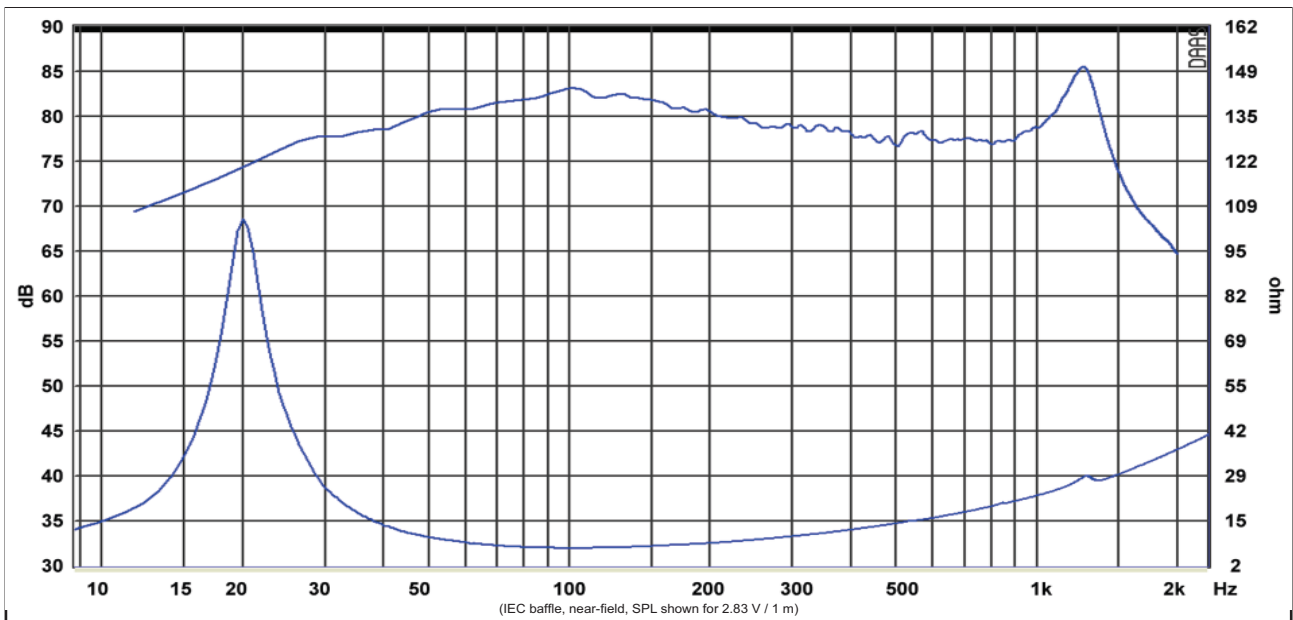
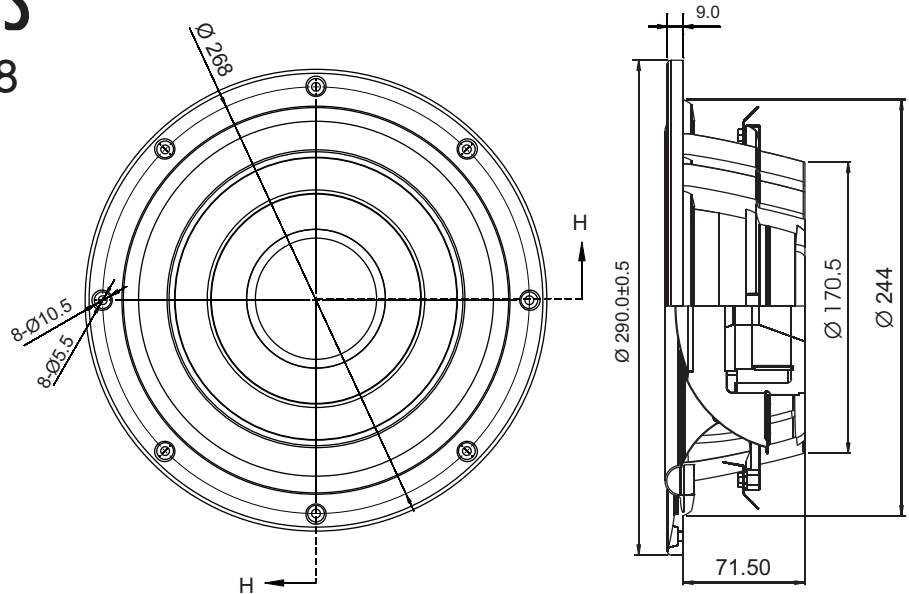


ACOUSTICS

10" SW26DAC76-8



Specs :

Nominal Impedance	8 Ω	Free air resonance, Fs	19.5 Hz
DC resistance, Re	6.4 Ω	Sensitivity (2.83 V / 1 m)	83 dB
Effective piston area, Sd	312 cm ²	Mechanical Q-factor, Qms	4.4
Voice coil diameter	75.5 mm	Electrical Q-factor, Qes	0.29
Voice coil height	30 mm	Total Q-factor, Qts	0.28
Air gap height	6 mm	Moving mass incl.air, Mms	172 g
Linear coil travel (p-p)	24 mm	Force factor, Bl	21.4 Tm
Magnetic flux density	1.0 T	Equivalent volume, Vas	54 liters
Magnet weight	281 g	Compliance, Cms	0.39 mm/N
Net weight	3.43 kg	Mechanical loss, Rms	4.8 kg/s
		Rated power handling*	250 W

* IEC 268-5, T/S parameters measured on drive units that are broken in.