

Model Number: SLS-P830668  
 Product Line: Peerless Silver

Revision: Rev 1\_0  
 Date: 7-Sep-09

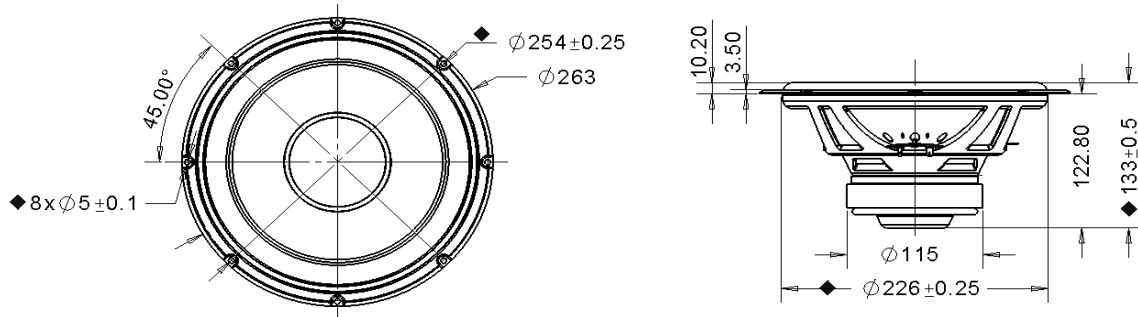


**Product Description:**

The SLS line combines high quality performance with an affordable design. This 10 inch 8 ohm member of the SLS family features a rigid steel basket, a coated paper cone, and a ferrite magnet motor with aluminium shorting ring for improved distortion performance.



**Mechanical 2D Drawing:**



**Specifications:**

DC Resistance	$R_{\text{evc}}$	$\Omega$	5.7	5.0%	Energy Bandwidth Product	EBP	$(1/Q_{\text{es}})f_s$	51
Minimum Impedance	$Z_{\text{min}}$	$\Omega$	6.6	7.5%	Moving Mass	$M_{\text{ms}}$	g	52.11
Voice Coil Inductance	$L_e$	mH	1.15		Suspension Compliance	$C_{\text{ms}}$	um/N	449.4
Resonant Frequency	$f_s$	Hz	33	15.0%	Effective Cone Diameter	D	cm	21.0
Mechanical Q Factor	$Q_{\text{ms}}$	-	7.7		Effective Piston Area	$S_D$	cm <sup>2</sup>	346.4
Electrical Q Factor	$Q_{\text{es}}$	-	0.64		Equivalent Volume	$V_{\text{as}}$	L	75.71
Total Q Factor	$Q_{\text{ts}}$	-	0.59		Motor Force Factor	BL	T·m	9.79
Ratio $f_s / Q_{\text{ts}}$	F	$f_s / Q_{\text{ts}}$	56		Motor Efficiency Factor	$\beta$	$(T \cdot m^2) / \Omega$	16.79
Half Space Sensitivity @ 2.83V	dB@2.83V/1m	dB	87.7	+/-1.0 <sup>1</sup>	Voice Coil Former Material	VC <sub>m</sub>	-	Glass
Sensitivity @ 1W/1m	1W/1m	dB	88.1	+/-1.0 <sup>1</sup>	Voice Coil Inner Diameter	VC <sub>d</sub>	mm	38.4
Rated Noise Power (IEC 2685 18.1)	P	W	70		Gap Height	Gh	mm	8.0
Test Spectrum Bandwidth	30Hz - 2kHz	12 dB/Oct			Maximum Linear Excursion	$X_{\text{max}}$	mm	8.25
					Ferrofluid Type	FF	N/A	
					Transducer Size	-	inch	10
					Transducer Mass	-	kg	2.7

1 - Piston Band Sensitivity Tolerance

**Frequency and Impedance Response:**

